

The SP PRO grid forming battery inverter is one of the most flexible and intelligent available in the market today. With our modular approach, systems with up to 240kW of continuous battery inverter capacity can be realised. Using sophisticated communications up to 480kW of managed AC Coupled solar can be installed.

Battery Voltages of 24V, 48V and 120V are accommodated. Additionally, by incorporating unlimited DC Coupled solar, wind, backup generator or a grid supply,* our ethos of never being without power is always met.

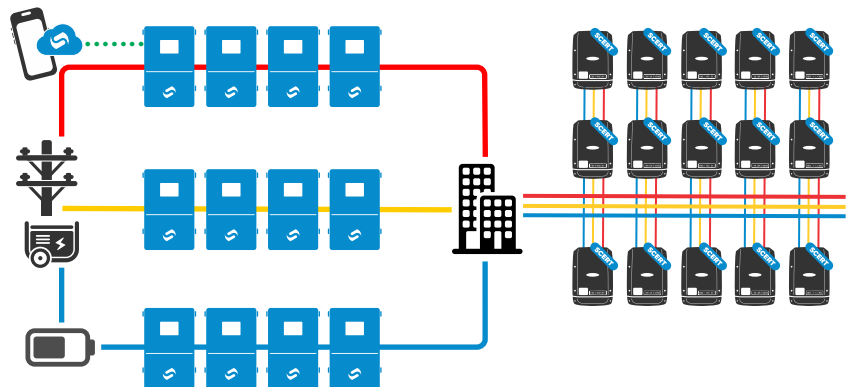


The same SP PRO is suitable for both Off-Grid and Solar Hybrid (On-Grid) installations for residential, commercial and industrial applications. Our inverters provide true transition from an On-Grid to an Off-Grid system (and vice versa) with a simple on-site setting change.

Selectronic inverters have been made in Australia since 1981 and since then have powered 1000's of sites from the tropics of Indonesia, the mountains of the Himalayas, the deserts of UAE, the outback of Australia and on suburban homes throughout the world. In fact, nobody has more experience in this market sector than Selectronic.

At Selectronic, we strive for the lowest total cost of ownership. New firmware releases are generally backward compatible ensuring systems are not placed in a redundant technology corner. Engineers and installers are supported by people who talk your language, understanding power systems with the breadth of knowledge and experience that you require.

Selectronic has world-renowned inverters that offer grid independence, proven reliability, now with Modbus RTU ultimate flexibility, retrofit capability and class leading warranties.



240kW of continuous load power can be achieved, using 4x 20kW SP PRO inverters per phase on a three-phase system

- Australian owned, designed, manufactured and supported
- More features included as standard 'inside the box' than any other inverter
- AC continuous load and charging power from 3kW to 240kW with up to 480kW of managed AC Coupled solar
- Up to 4 SP PRO inverters per phase: Single-phase, dual-phase, split-phase or three-phase
- Off-Grid and On-Grid* (grid backup and grid feed), marine and mobile operation
- All output ratings are continuous 24/7
- Lithium, lead acid, lead carbon battery compatible
- Modbus RTU
- Easily configurable for domestic and commercial applications
- Inbuilt configuration wizard for super-fast setup
- AC Coupling recovery mode to easily recharge from AC Coupled solar
- AC or DC Coupling compatible
- Retrofit existing systems
- Integrated generator controller to maximise system efficiency
- 63A or 125A internal transfer contactor standard, or up to 1000A per phase external
- Up to 10-year warranty**

*On Grid connection only applies to SPMC480-AU, SPMC481-AU, SPMC482-AU, SPLC1200 and SPLC1202
**Conditions apply see website for detail

SP PRO MODEL No.	SPMC240-AU	SPMC241-AU	SPMC480-AU	SPMC481-AU	SPMC482-AU	SPMC1201	SPLC1200	SPLC1202
AC OUTPUTS								
Maximum AC Load power from batteries: 30 secs	7.5kW	10.5kW	8.4kW	12.0kW	18.0kW	18.0kW	33.0kW	33.0kW
1 minute	5.4kW	7.6kW	6.0kW	8.7kW	13.0kW	13.0kW	26.0kW	35.0kW
30 minutes	4.2kW	6.75kW	5.25kW	7.0kW	11.25kW	11.25kW	23.0kW	30.0kW
60 minutes	3.2kW	4.7kW	3.7kW	5.3kW	8.0kW	8.0kW	18.0kW	24.0kW
Continuous 24/7	3.0kW	4.5kW	3.5kW	5.0kW	7.5kW	7.5kW	15.0kW	20.0kW
Max total output to Load	15.0kW ¹ + SP PRO continuous rating + solar inverter output						30.0kW ¹ + SP PRO + solar inverter	
Nominal AC Voltage - Total harmonic distortion when SP PRO is grid forming	240V AC configurable 210 to 240V AC / <3% @ 0-200% rated Load							
Frequency when SP PRO is grid forming	50 or 60Hz +/-0.005% No-Grid							
Max Export to grid using Selectronic Certified solar inverters / generic solar Inverters ³ per phase	Not Applicable	Not Applicable	7.0kW / 3.5kW	10.0kW / 5.0kW	15.0kW / 7.5kW	Not Applicable	30.0kW / 15.0kW	40.0kW ² /20.0kW
Max rating of managed AC Coupled solar (SCERT) per phase	6.0kW	9.0kW	7.0kW	10.0kW	15.0kW	15.0kW	30.0kW	40.0kW
AC INPUTS								
Nominal input voltage from grid or generator	210 +/- 15% to 240 +/- 10%V AC							
Nominal input frequency from grid or generator	50Hz +/- 10%							
Max input from grid or generator current / power	63A ¹ / 15.0kW ¹						125A ¹ / 30.0kW ¹	
Switching time between grid / generator & batteries	Less than 0.03 seconds							
Max continuous battery charging	3.0kW / 125A	4.5kW / 187A	3.5kW / 73A	5.0kW / 104A	7.5kW / 156A	7.5kW / 62A	15.0kW / 125A	20.0kW / 166A
DC INPUTS								
Nominal DC input / DC voltage start-up range (V DC)	24V / 20 - 34		48V / 40 - 68			120V / 100 - 162		
Battery capacity (range)	Up to 60,000Ah / 7.2MWh							
EFFICIENCY								
Peak Efficiency	95%	95%	95%	96%	96%	97%	97.2%	97.2%
DC consumption: idle	6W							
GENERAL								
Ambient temperature operating range	-10°C to 60°C							
Inverter display indicators	Charger status, charge source, usable battery capacity remaining, alarms, AC status							
Renewable charging source	Managed AC Coupling with any Selectronic Certified solar inverter, any DC charge controller with shunt, generic AC Coupled solar inverter							
Maximum No. of SP PRO's per phase	4							
Data logging storage	Up to 2.5 years							
SP LINK configuration and monitoring software	Included as standard							
Internet monitoring portal	Select.live (optional)							
FEATURES								
Generator backup connectivity and control	Inbuilt for Off-Grid. Optional for On-Grid using our Grid Fail Backup module					Inbuilt for Off-Grid systems		
Battery temp sense / Smart capacitor charging	Yes / Yes							
Battery compatibility	Configurable battery charging set points for most battery chemistries including lithium. See www.selectronic.com.au for details							
Digital control inputs	4 of 12V to 60V True, < 3V False							
Analogue shunt Inputs	Two user definable: Suitable for 25A - 1000A current shunts at 25mV - 100mV							
Analogue inputs	2 general purpose logged 0-60V							
Control outputs	Relay: 4 of 60V DC, 500mA / Digital: 3 of 60V DC, 5mA inconsistent							
Communication ports	USB Type B and RS232 (concurrent operation), CAN bus, RS485, DRM							
Supported protocols	Modbus RTU (via RS485)							
Dual, split & three-phase compatible	Yes with multiple SP PRO's							
Warranty	5 years international standard warranty, 5-10 years warranty for Australia and New Zealand (conditions apply, see website for details)							
STANDARDS								
Safety - Uninterruptible power supply (UPS)	IEC 62040-1-1:2002 / AS 62040-1-1:2003							
Safety - Power converters used in PV systems	IEC 62109-1 and IEC 62109-2							
EMC (Domestic limits)	EN 61000.6.3:2007							
EMC (Industrial limits)							EN 61000.6.4:2007	
Grid connect	AS/NZS 4777.2:2020 Stand Alone (SPMC480-AU, SPMC481-AU, SPMC482-AU, SPLC1200 and SPLC1202 only), IEC 62116:2014 (all models)							
Certification	Certificate of Suitability, RCM							
Protection	IP43							
WEIGHTS & DIMENSIONS								
Weight: Packed / unpacked with wall mount	37kg / 33kg	43kg / 39kg	37kg / 33kg	44kg / 40kg	47kg / 43kg	47kg / 43kg	160kg / 113kg	163kg / 115kg
Dimensions: Packed / unpacked h x w x d (mm)	810x500x350 / 690x375x220						1080x740x650 / 870x540x290	

¹ Up to 240kW / 1000A per phase with installer built external contactor

² Above 30kW requires an installer built external AC contactor

³ Suitable for On-Grid systems only

All specifications at 25°C and rated DC input voltage except where otherwise stated.