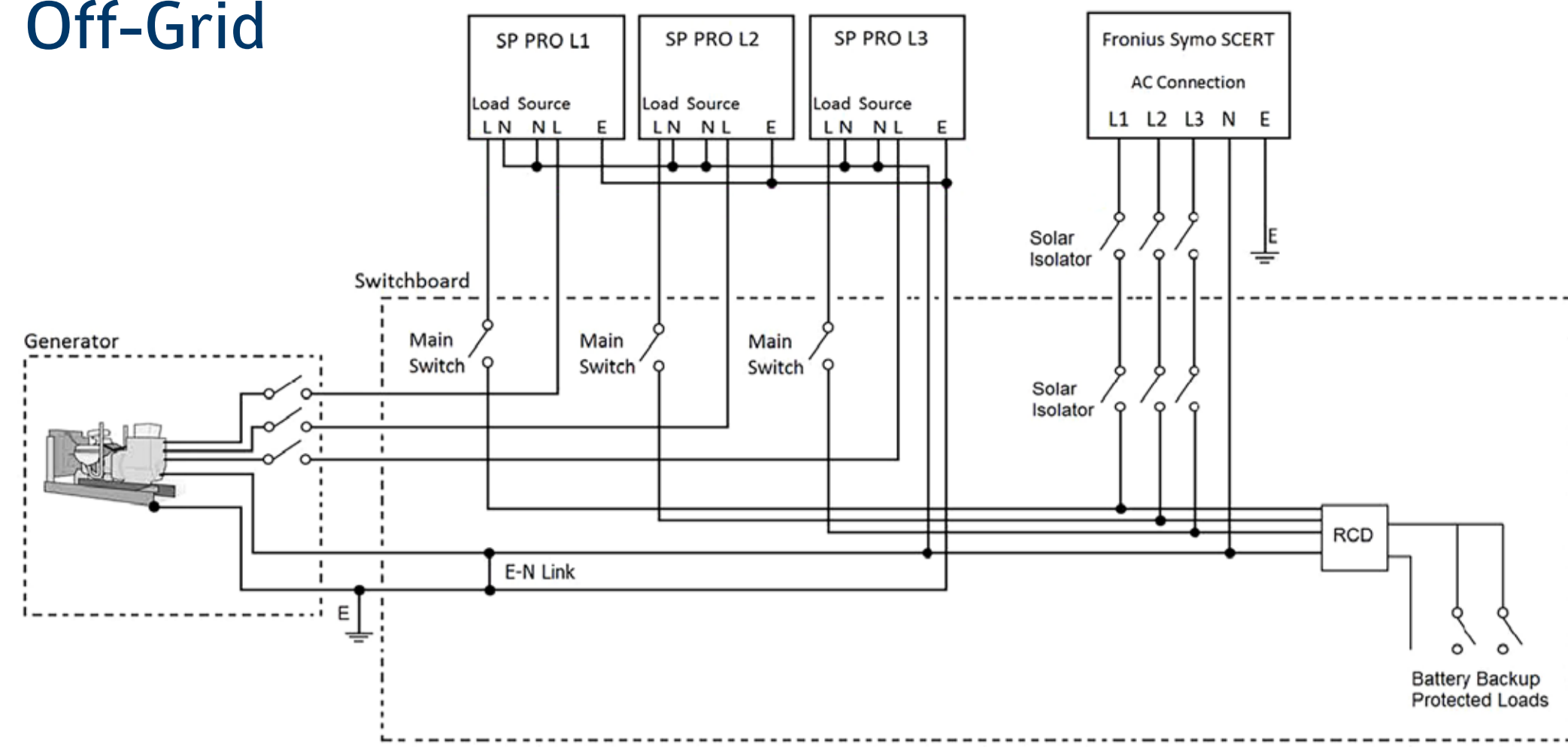
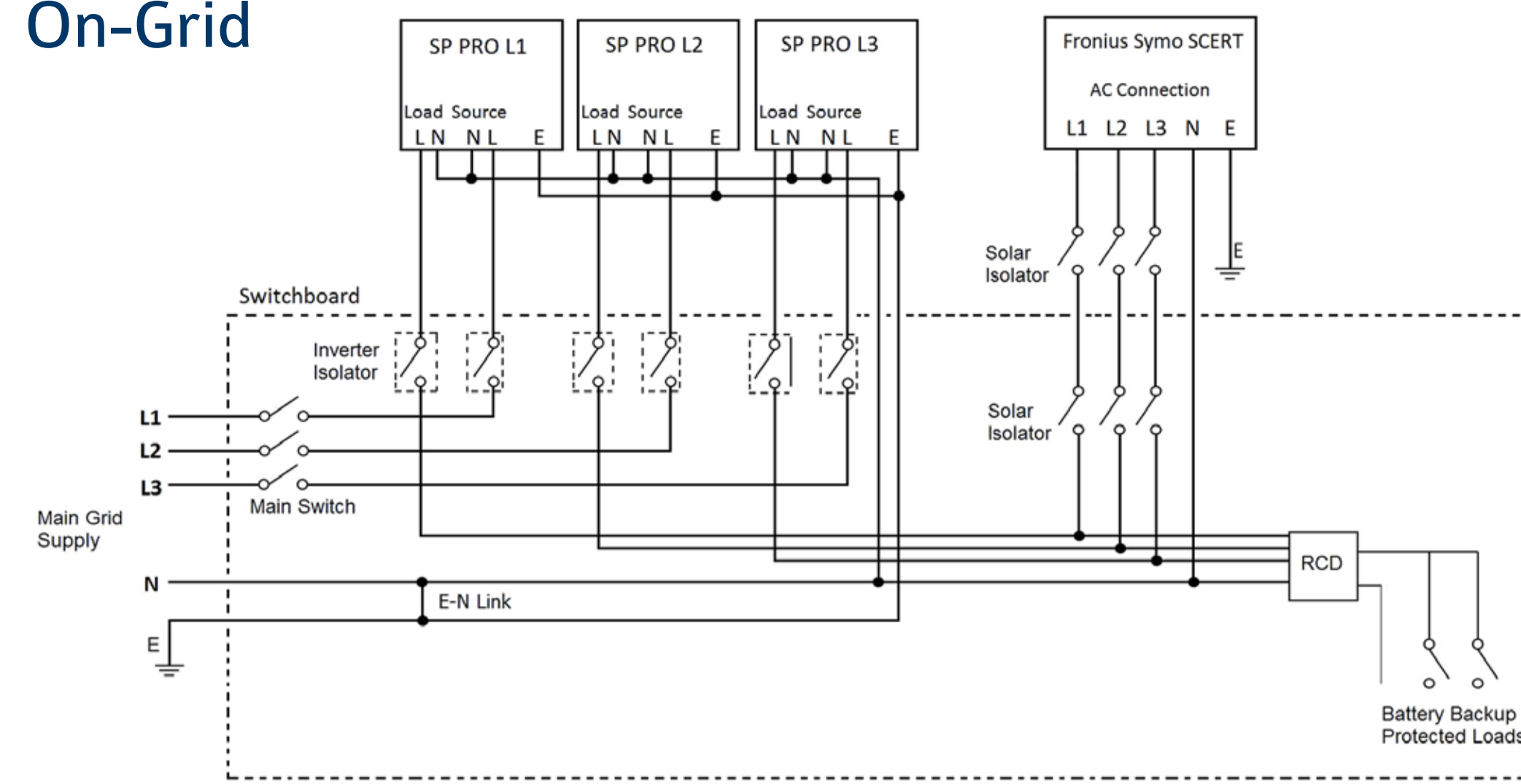


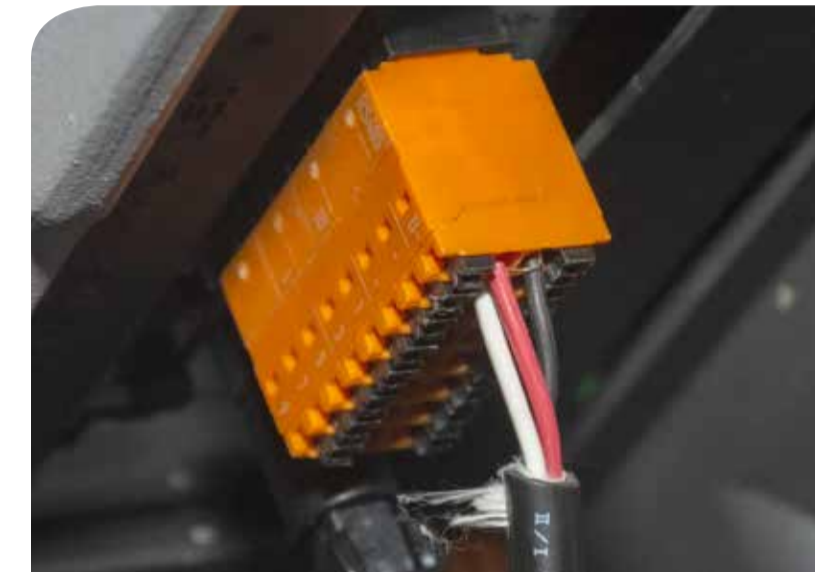
Off-Grid



On-Grid



SP PRO Series 2i Fronius Symo Installation Overview



DO NOT offset plug.
White = "-"
Red = "RS485 D-"
Black = "RS485 D+"



Switch in
"MASTER" position.



Switch to RHS
"B" position.



SP LINK SETTINGS

Managed AC Coupled Solar
String Inverter*
Fronius
Number of Devices*
[1 - 5]
1

FRONIUS SETTINGS

| CONFIG | 1
Select Country
50HZ
International 50Hz

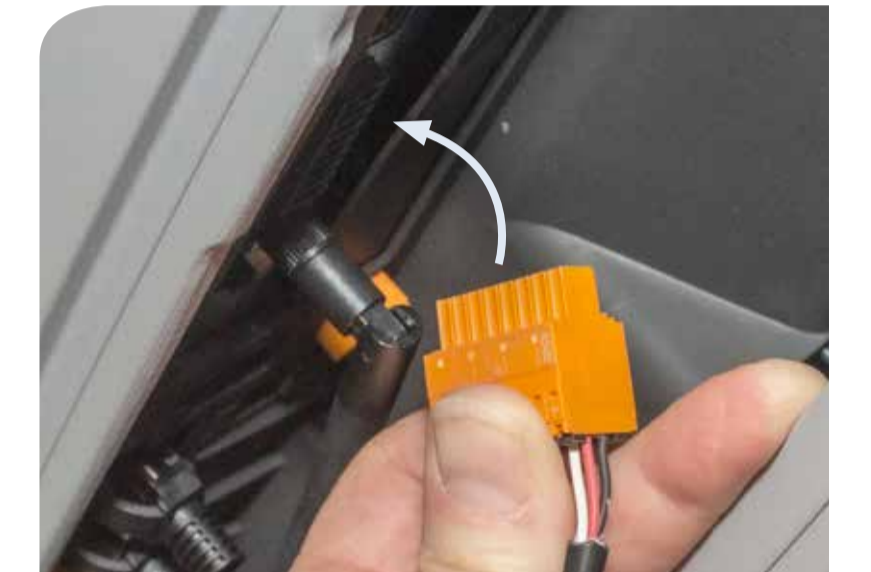
| SETUP | 1
Inverter Number
01

| SETUP | 1
Protocol Type
Solar Net

AC SOLAR LINK TEST

AC Solar Link Test
Errors or non-responses from grid-tie inverters can indicate quality of link. Counting while grid tie inverter is off, such as at night, is normal.

Link #1 0



Fall Back Testing
- Unplug
- Wait 10 seconds, check:

| INFO | 1
Readings
PV Iso. 33,86MΩ
ext.Lim. 0%
U PV1 350,4V



Fail Safe Testing
- Unplug
- Check:

| NOW |
ERROR
STATE 710
Alive Signal Fail

Please ensure to run the SP LINK site configuration Wizard. For the full installation guide (Document ref. IN0049), please visit www.selectronic.com.au.