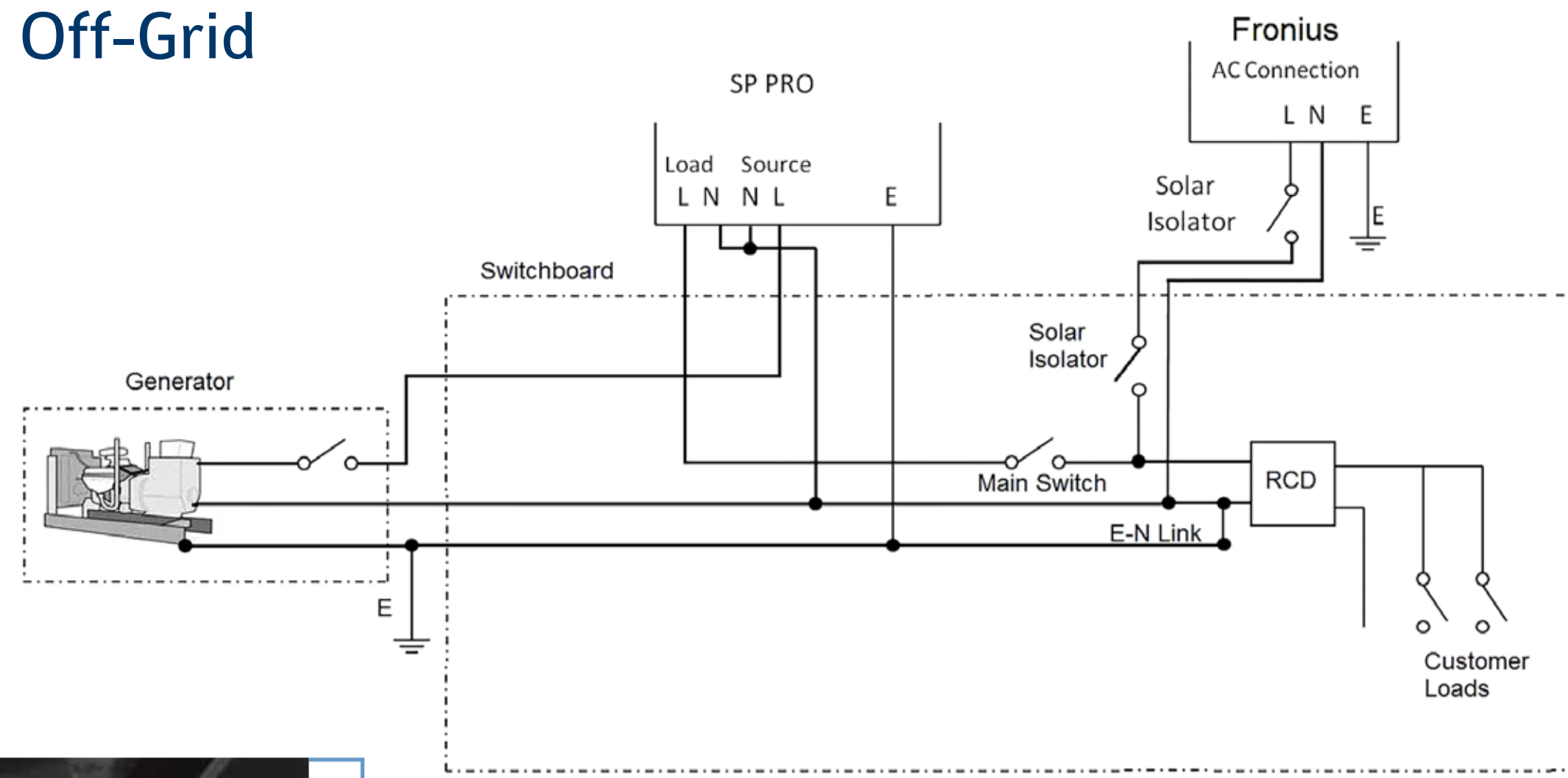
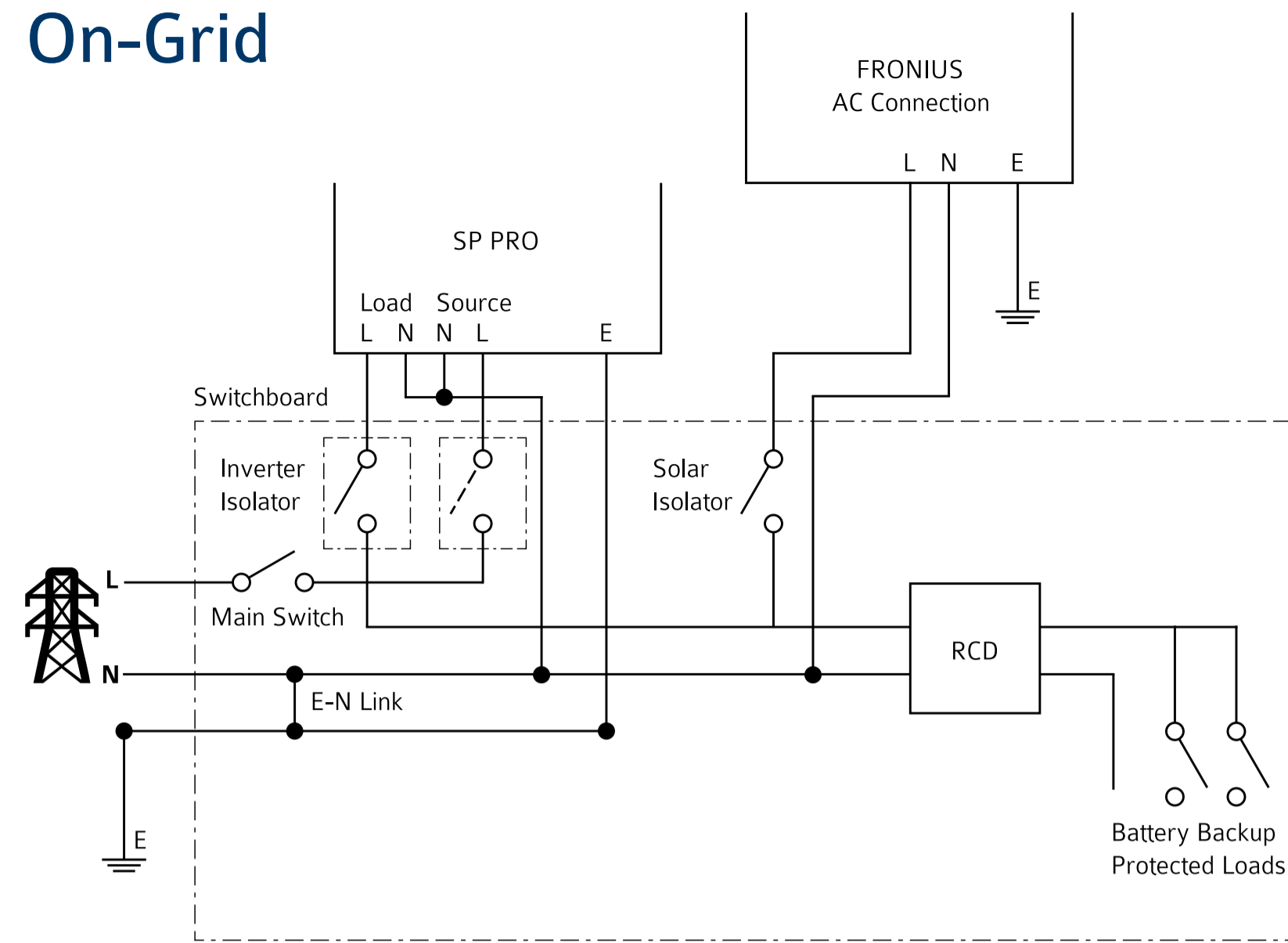


# Off-Grid

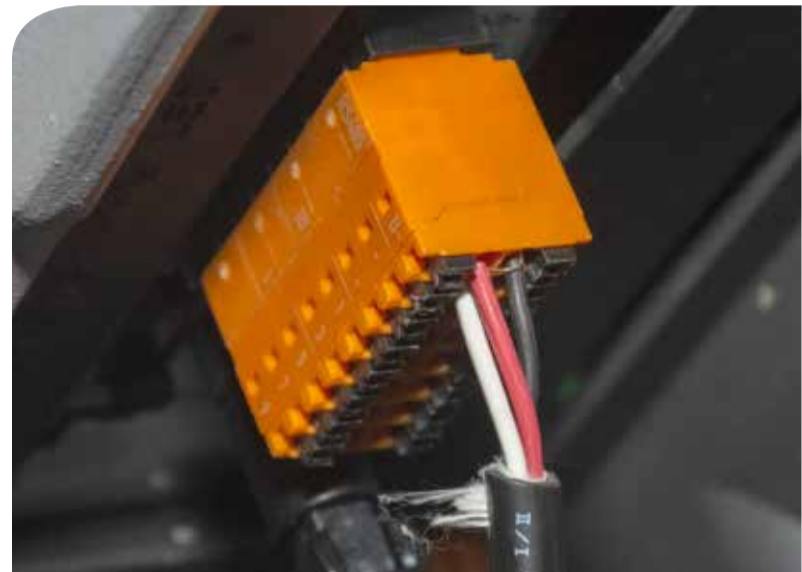


# On-Grid



# SELECTRONIC

## SP PRO Series 2i Fronius Primo Installation Overview



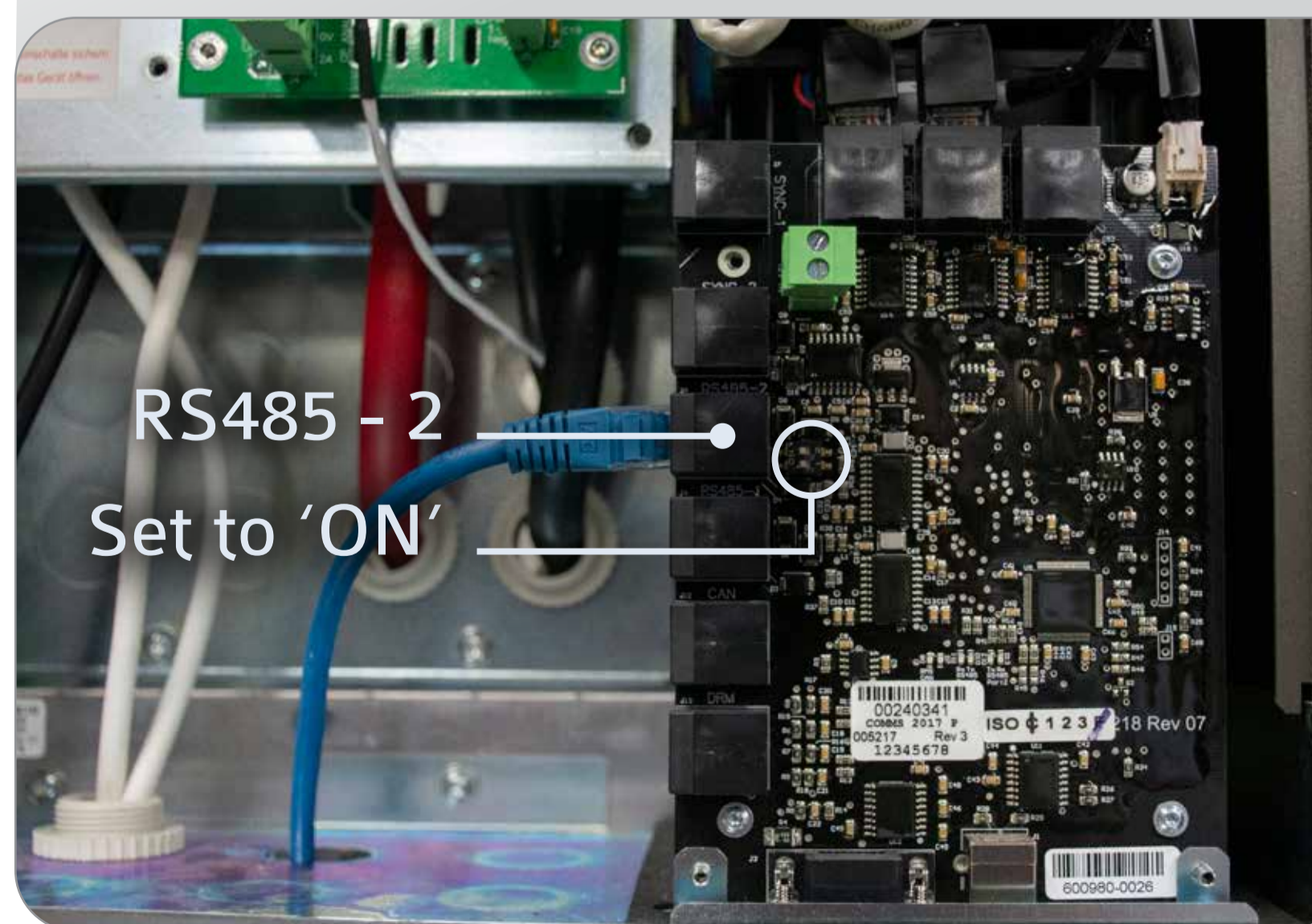
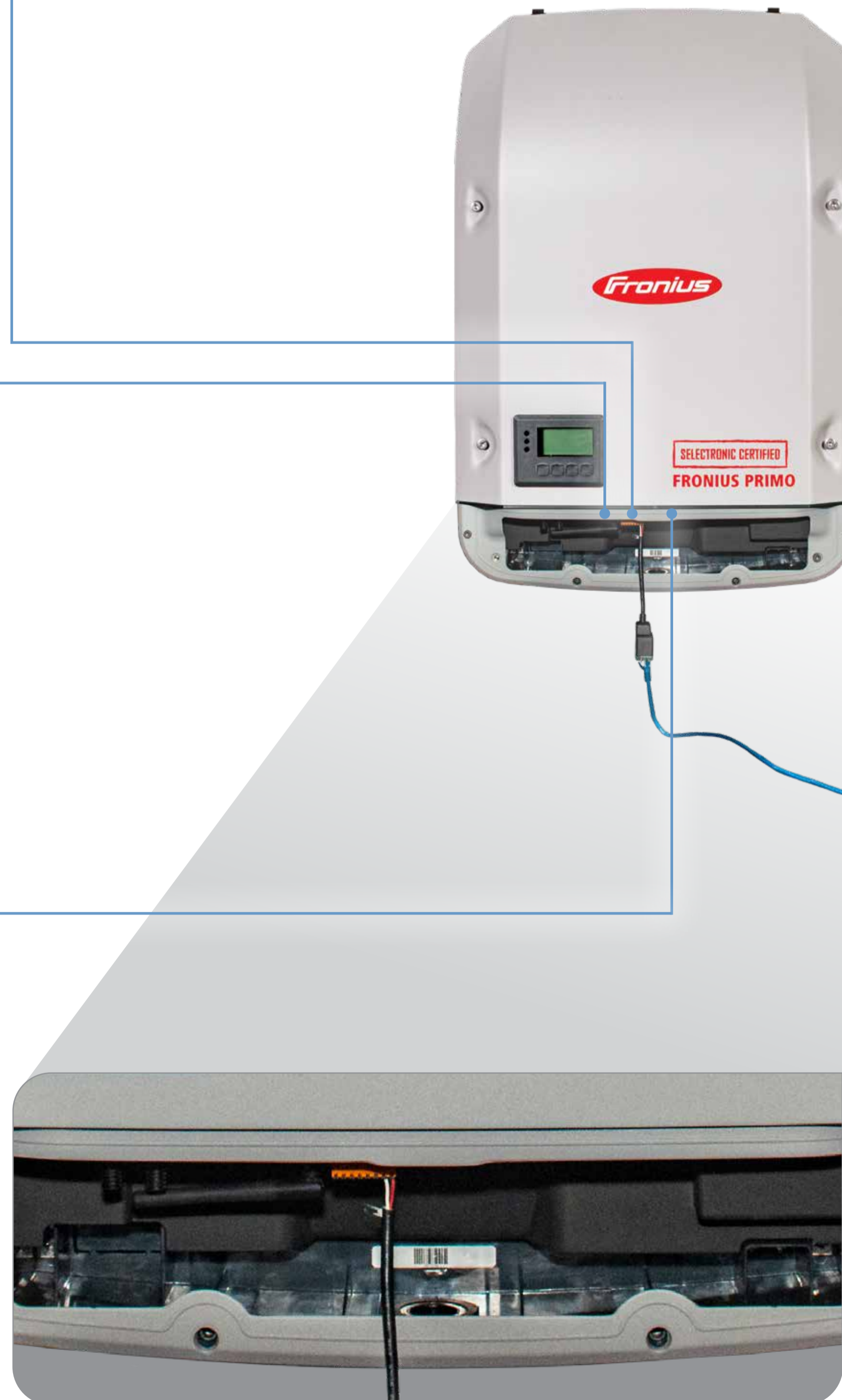
DO NOT offset plug.  
White = "-"  
Red = "RS485 D-"  
Black = "RS485 D+"



Switch in "MASTER" position.



Switch to RHS "B" position.



### SP LINK SETTINGS

Managed AC Coupled Solar  
**String Inverter\***  
Fronius  
**Number of Devices\***  
[1 - 5]  
1



Fall Back Testing  
- Unplug  
- Wait 10 seconds, check:

### FRONIUS SETTINGS

| CONFIG | 1  
Select Country  
50HZ  
International 50Hz

| SETUP | 1  
Inverter Number  
**01**

| SETUP | 1  
Protocol Type  
**Solar Net**

### INFO | 1

Readings

|          |         |
|----------|---------|
| PV Iso.  | 33,86MΩ |
| ext.Lim. | 0%      |
| U PV1    | 350,4V  |



### AC SOLAR LINK TEST

AC Solar Link Test  
Errors or non-responses from grid-tie inverters can indicate quality of link. Counting while grid tie inverter is off, such as at night, is normal.

Link #1 0

Fail Safe Testing  
- Unplug  
- Check:

### ERROR

STATE 710  
Alive Signal Fail

Please ensure to run the SP LINK site configuration Wizard. For the full installation guide (Document ref. IN0049), please visit [www.selectronic.com.au](http://www.selectronic.com.au).